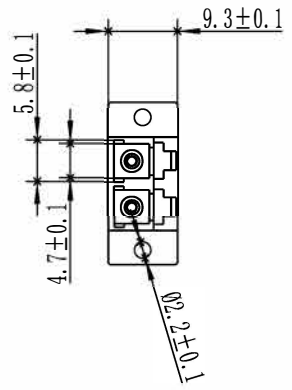
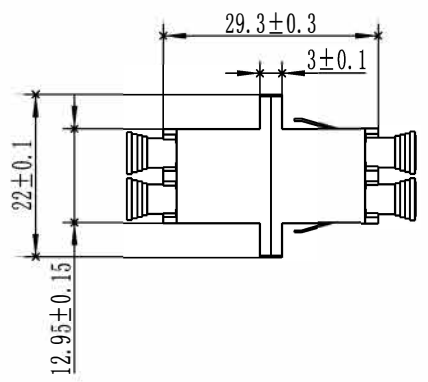
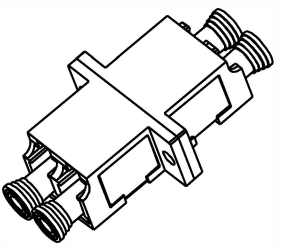


NOTE: ALL MATERIAL COMPLIANT ROHS STANDARD



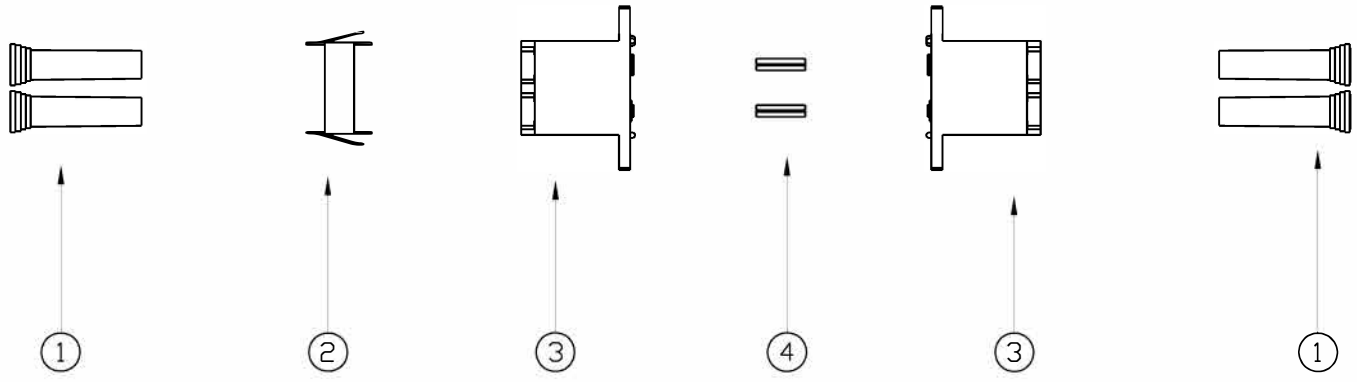
# LC DUPLEX FIBER OPTIC COUPLER / ADAPTER WITH FLANGE

REVISION INFORMATION			
Rev.	Rev. Date	Modified By	Brief Description
B	05/14/2025	T.D.	P/N - COLOR -PARTS



PART	MAT NO.	PAPT NAME	MAT.
1	FBK-ADAPTER-LC-010	LC-DUST CAP	PP
2	FBK-ADAPTER-001	SHRAPNEL	SUS304
3	FBK-ADAPTER-LC-004	OUTER HOUSER LC 2	PC
4	FBK-ADAPTER-LC-007	SLEEVES_LC	CERAMIC

Parameter	LC-LC			
	SM UPC	SM APC	MM OM1	OM3/4/5
Insertion Loss (db)	≤0.25	≤0.25	≤0.25	≤0.25
Mechanical Durability	>500			
Sleeve	ZrO2			
Operation wavelength	1310nm~1550nm~850nm			
Operating Temperature(°C)	-40~+75			
Storage Temperature (°C)	-40~+85			



## COLOR

Part No.	Mode	Color	Material
1	MULTIMODE OM1	BEIGE/IVORY	MULTIMODE OM5 LIME GREEN
2	MULTIMODE OM3/4	AQUA	
3	SINGLEMODE UPC	BLUE	
4	SINGLEMODE APC	GREEN	

## LANshack

Sales@LANshack.com | 888-568-1230

DRAWN BY X.C.	DATE: 2015/5/15	DESCRIPTION: LC Duplex Fiber Optic Coupler/Adapter w/ Flange
CHECKED BY T.D.	SHEET 1 of 1	ITEM NO. XX-FODC-XX-02
APPROVED BY A.D.	SCALE 1:1	REV. 00 UNIT: mm